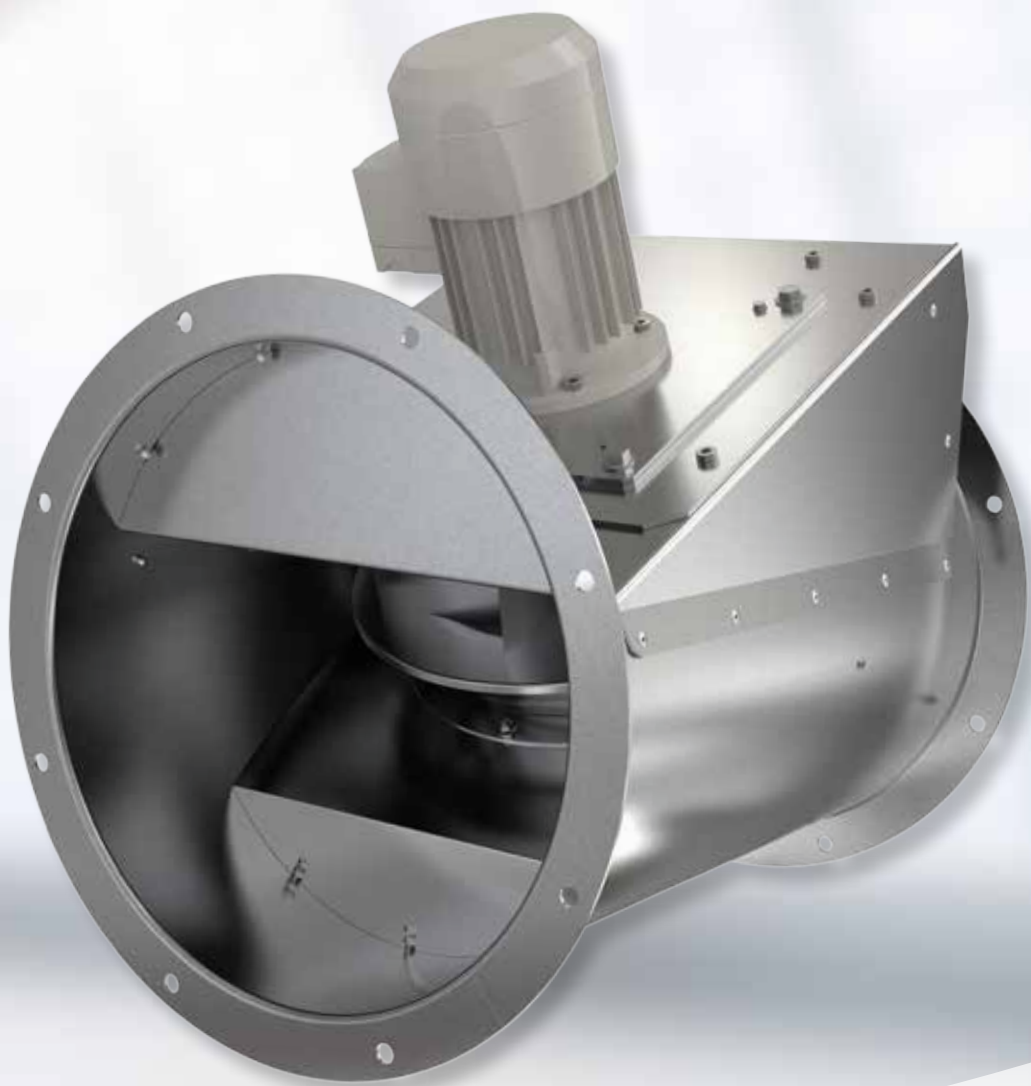


Thermo fan AxZent

Extraction just got better!



AxZent

The inline-extract-solution for various applications



- For rough environments: Motor outside the airflow, up to 120°C medium temperature
- Ideal to transfer dirty, humid as well as hot air against high pressure drops
- Clean inline solution: Easy and space-saving integration into your duct system
- Easy to maintain: Easy access to the fan unit
- For industrial applications like process exhaust air, commercial kitchens and similar applications
- Registered utility patent, reference 20 2013 000 260

Casing

The long casing is manufactured from galvanized steel and has spun flanges according to Eurovent 1/2 for additional stability.

Motor

Depending on the design models are equipped with controllable IEC standard motors or frequency converter control IE2 standard motors.

Impeller

Optimized and high efficiency HD impellers with backward curved blades, manufactured from aluminium.

Speed control

Speed controllable by transformer or frequency converter.

Motor protection

Optimum motor protection by cold conductors (PTC) or thermal contacts (TK), to be connected to an external PTC/TK triggering device.

Accessories

Other accessories (e.g. weather roof) on request.

Electrical accessories



REV
Isolator



FRQ
Speed controller



S-DT2SKT
Two speed switch



RTRD/RTRDU
Manual five-step transformer



RTRE/REU
Manual five-step transformer



S-ET 10/STDT16/U-EK 230E
Motor protection

Accessories



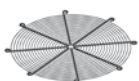
EVH
Flexible connection



FSD
Spring damper



GFL
Counterflange



SG
Protection guard



RSA
Silencer



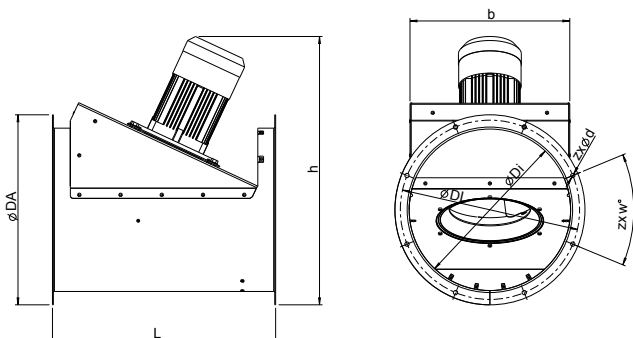
MFA
Mounting foot

Technical data

AxZent		400D2 IE2	400DV	400E4	450D2 IE2	450DV	450E4
Art.-no.		37077	37078	37076	37080	37081	37079
Voltage	V	400	400	230	400	400	230
Connection		Y	D/Y	-	Y	D/Y	-
Frequency	Hz	50	50	50	50	50	50
Phase	~	3	3	1	3	3	1
Power	W	1402	207	232	2574	277	373
Current	A	2.63	1.35	1.18	4.26	1.3	1.57
Max. airflow	m ³ /h	4100	2182	1980	6210	3103	2930
Fan impeller speed	1/min	2892	1487	1443	2887	1470	1396
Max. temperature of transported air	°C	120	120	120	120	120	120
Weight	kg	57	57	57	61	61	61
Insulation class, motor		F	F	F	F	F	F
Enclosure class, motor	IP	55	54	54	55	54	54
Capacitor	µF	-	-	12	-	-	12

AxZent		500DV	500E4	560D4 IE2	560E4	630D4 IE2
Art.-no.		37083	37082	37166	37165	37167
Voltage	V	400	230	400	230	400
Connection		D/Y	-	Y	-	Y
Frequency	Hz	50	50	50	50	50
Phase	~	3	1	3	1	3
Power	W	672	577	1145	1166	1972
Current	A	1.45	2.38	2.11	5.05	3.56
Max. airflow	m ³ /h	4874	4518	6901	6746	9378
Fan impeller speed	1/min	1356	1265	1416	1389	1423
Max. temperature of transported air	°C	120	120	120	120	120
Weight	kg	72	72	72	72	72
Insulation class, motor		F	F	F	F	F
Enclosure class, motor	IP	54	54	55	54	55
Capacitor	µF	-	12	-	30	-

Dimensions



AxZent	L	ØDA	h	b	ØDi	ØDI	zx w°	zx Ød
400D2 IE2	586	480	723	392	401	450	8x45°	8xØ12
400DV	586	480	638	392	401	450	8x45°	8xØ12
400E4	586	480	654	392	401	450	8x45°	8xØ12
450D2 IE2	623	530	748	446	451	500	8x45°	8xØ12
450DV	623	530	663	446	451	500	8x45°	8xØ12
450E4	623	530	679	446	451	500	8x45°	8xØ12
500DV	720	590	728	496	501	560	12x30°	12xØ12
500E4	720	590	744	496	501	560	12x30°	12xØ12
500D4 IE2	795	650	808	558	561	620	12x30°	12xØ12
560E4	795	650	815	558	561	620	12x30°	12xØ12
630D4 IE2	825	720	898	630	631	690	12x30°	12xØ12

Dimensions in mm.

Quick selection

